

INSTALLATION INSTRUCTIONS – STANDARD BALUSTRADE SYSTEMS

1. Install your Newel Posts:

- Install a PT4X4 in the desired location
- For roof applications, run roofing up 4X4
- Slide Newel Post over 4X4, shim as necessary, fasten securely to 4X4
- Partially fill void between 4X4 and Newel Post with expanding polyurethane foam
- Allow foam to cure according to manufacturer's instructions

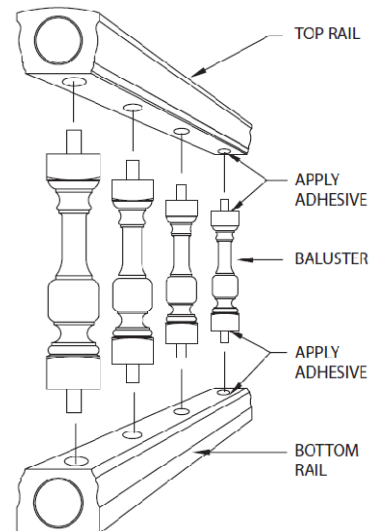
2. Assemble Rails and Balusters:

- Cut your top and bottom rails to size
- Determine your baluster spacing requirements
- Lay out your baluster center points and drill the holes



TIP: *The center of your rail must always be either the center of a baluster or the center of the space between balusters in order for your end spaces to be equal!*

- "Dry Fit" all Balusters to ensure a proper fit
- Once you are sure of the fit, reassemble the rails using plenty of adhesive (PL Premium) at all joints
- Clamp firmly together using ratchet straps every 2' approximately
- Allow to cure before mounting to Newel Posts

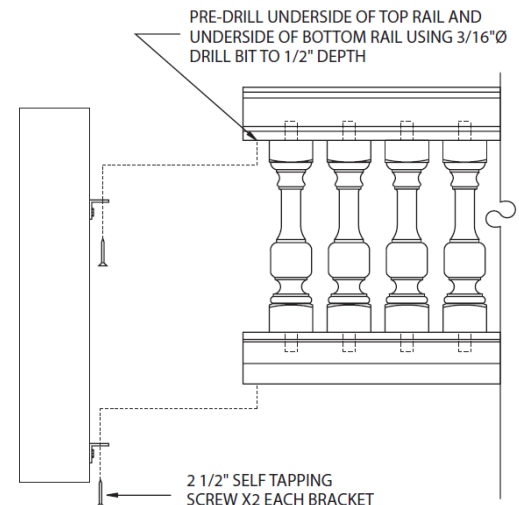


3. Install Assembled Balustrade to Newel Posts:

- Mark the bottom of both rails onto the Newel Posts, and attach a 3" – 4" length of 1.5"X1.5" aluminum angle using Stainless Steel screws.
- Drop assembled Balustrade in place, and fasten from below.



TIP: *To conceal the aluminum brackets, mount them with the vertical leg up, and use a router to machine a recess in the bottom and end of each rail!*



Concept
..... "Don't Waste Time!"[®]

Still worried? Call today for a price on pre-assembly! "Don't Waste Time!"

Click this link or go to http://www.cheyennecompany.com/Inst_C3_Balustrade.pdf to view the simple installation sequence of Cheyenne Company's **C³ Balustrade System!**

68 East Dudley Town Rd
Bloomfield, CT 06002

Tel: 1.800.676.8840
Fax: 1.866.676.3188

www.cheyennecompany.com

