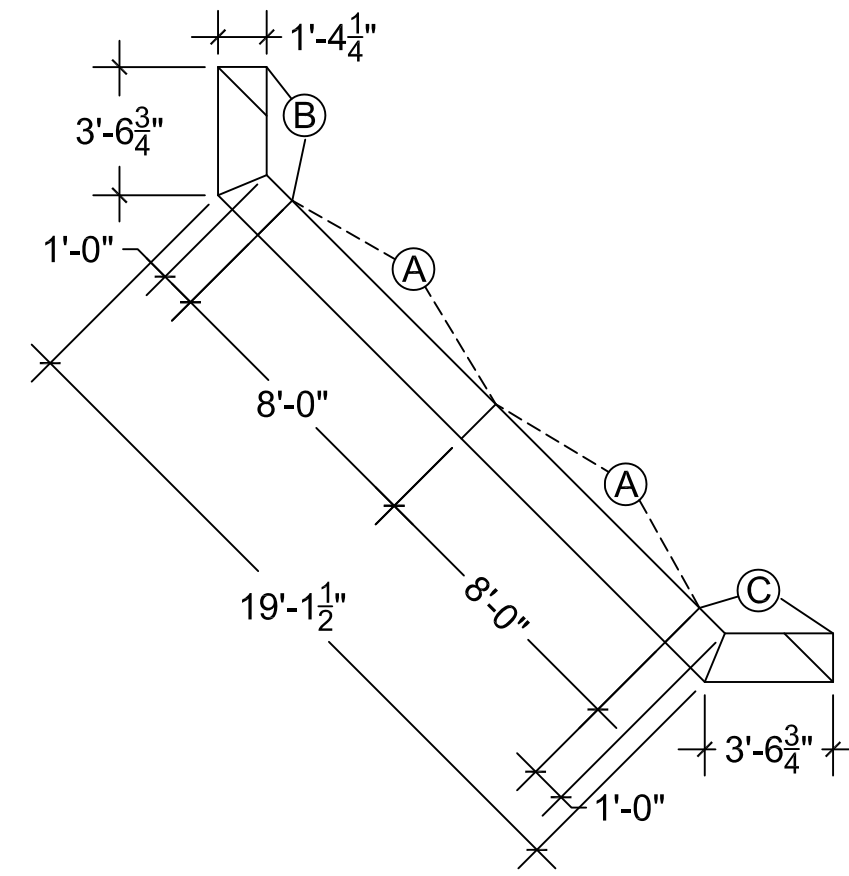
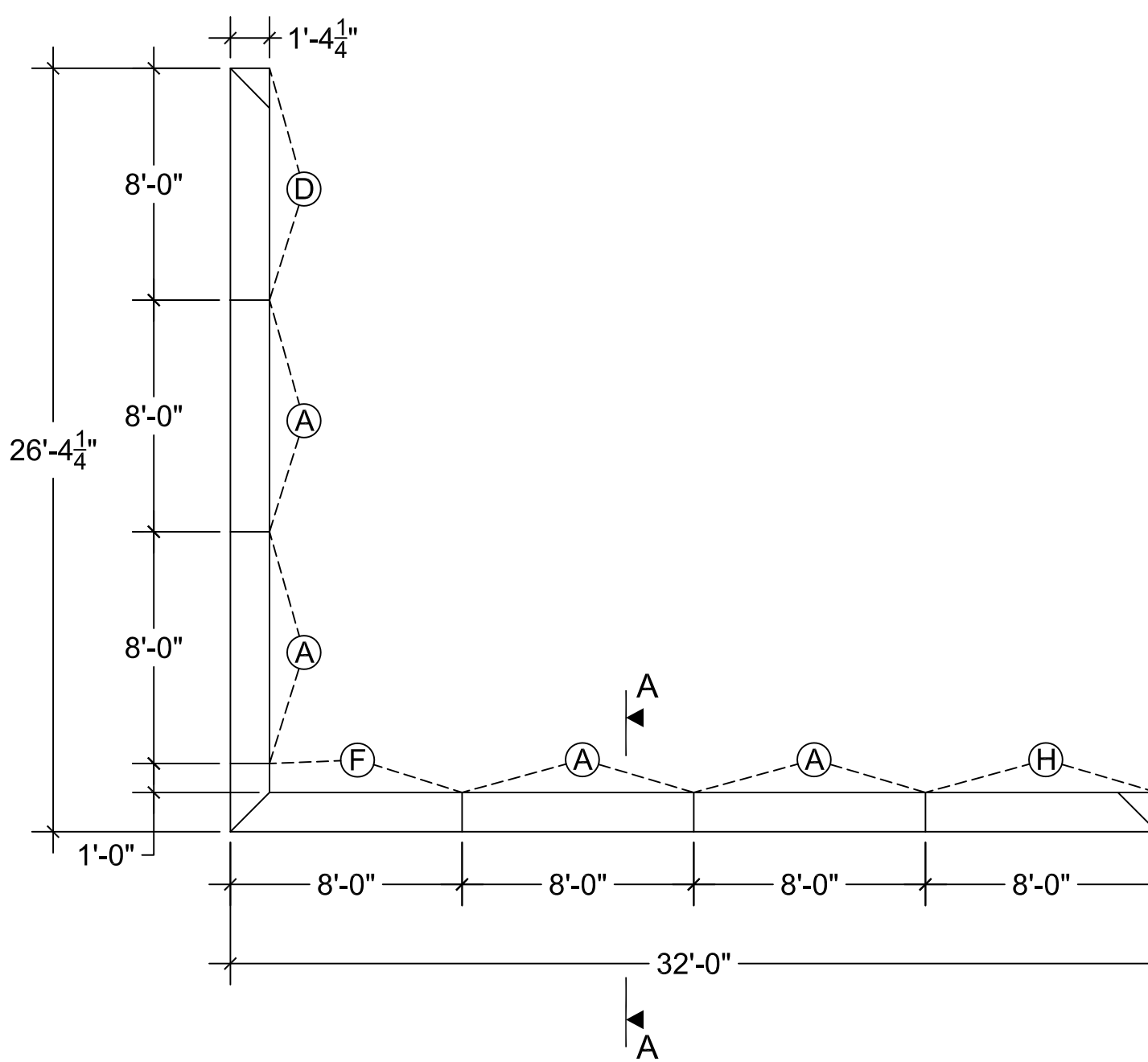
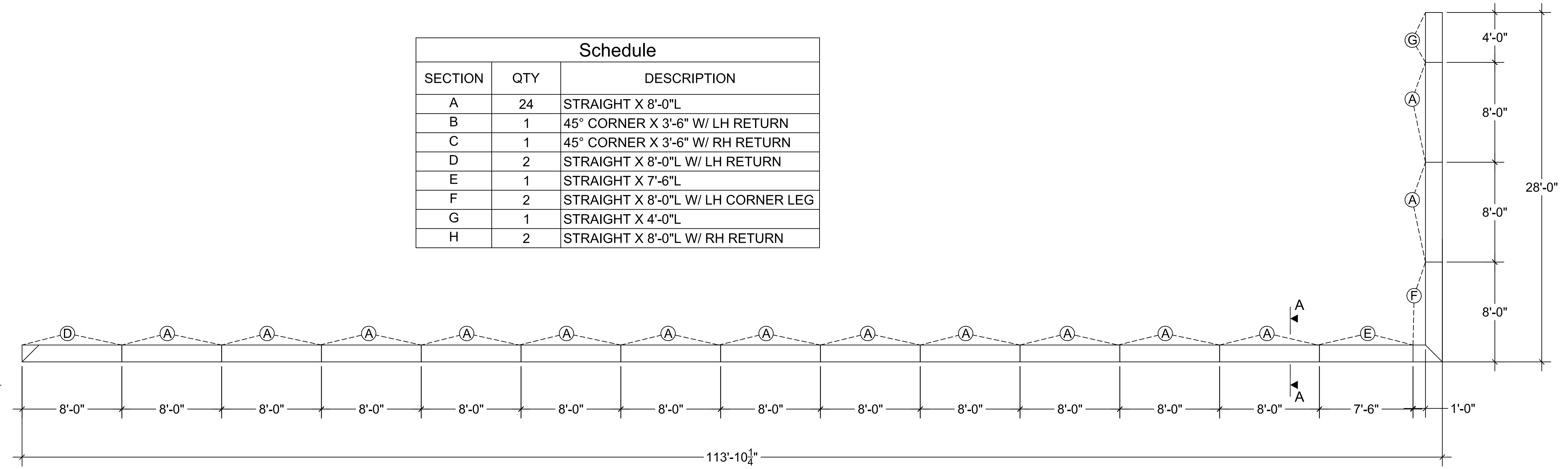


SECTION A-A
CORNICE DETAIL - 5/A-5.2
SCALE: 3" = 1'-0"
258'-5 1/2" LF

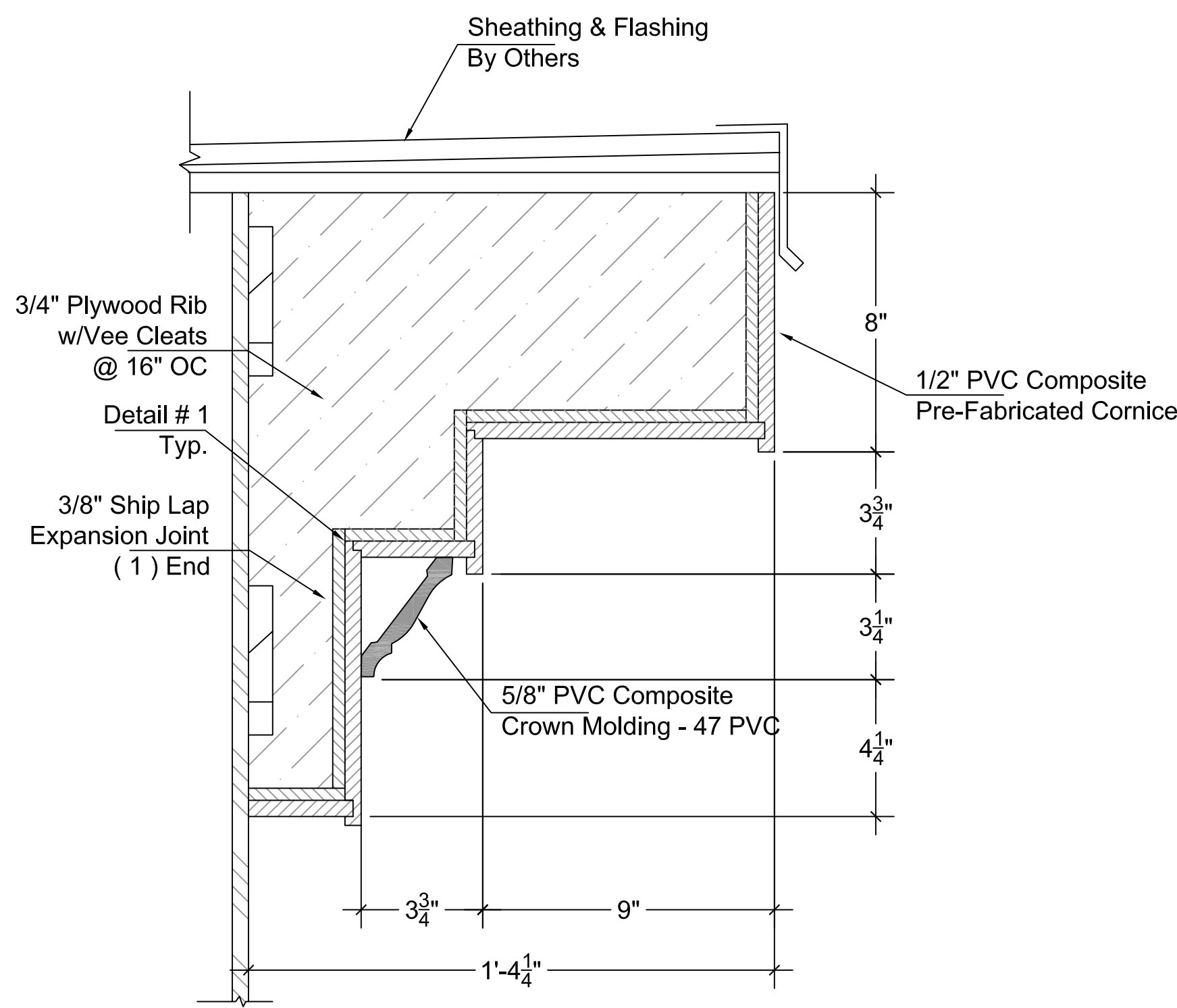
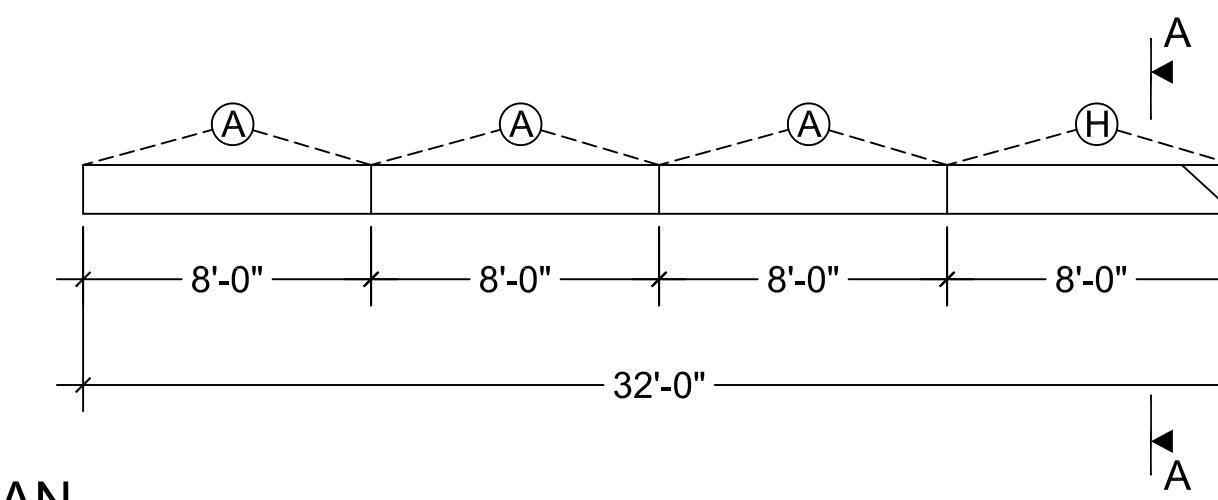
NOTE: LOWER HALF OF VEE-CLEAT
INSTALLED IN FIELD



Schedule		
SECTION	QTY	DESCRIPTION
A	24	STRAIGHT X 8'-0\"L
B	1	45° CORNER X 3'-6\" W/ LH RETURN
C	1	45° CORNER X 3'-6\" W/ RH RETURN
D	2	STRAIGHT X 8'-0\"L W/ LH RETURN
E	1	STRAIGHT X 7'-6\"L
F	2	STRAIGHT X 8'-0\"L W/ LH CORNER LEG
G	1	STRAIGHT X 4'-0\"L
H	2	STRAIGHT X 8'-0\"L W/ RH RETURN

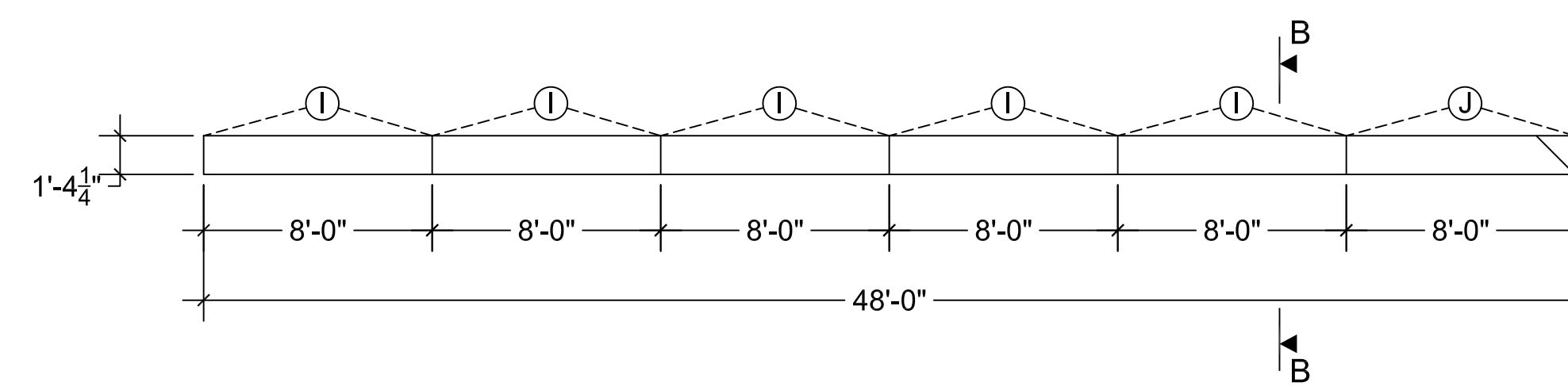


CORNICE PLAN
SCALE: 3/16" = 1'-0"

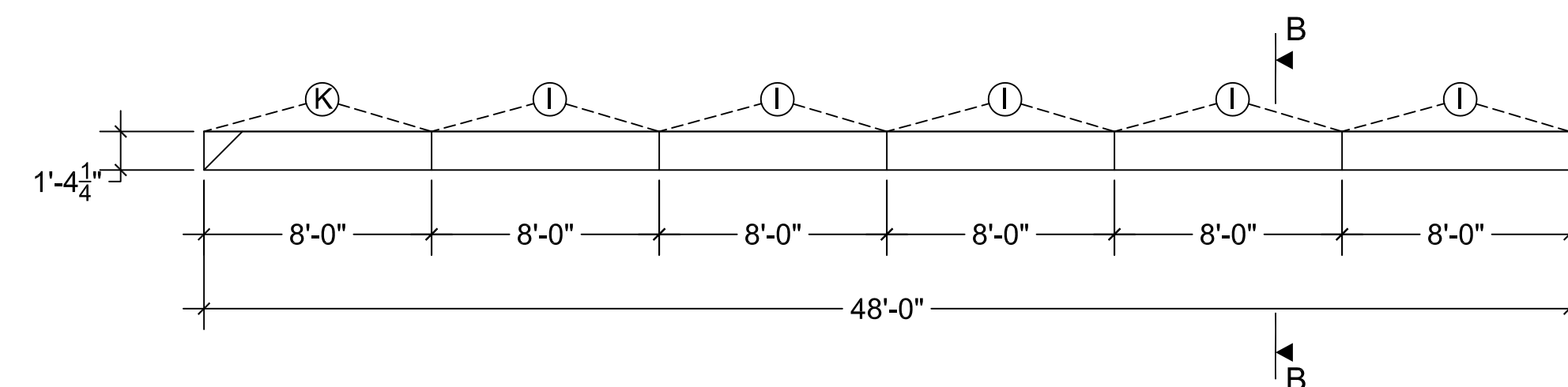


SECTION B-B
CORNICE DETAIL - 6/A-5.2
SCALE: 3" = 1'-0"
96' LF

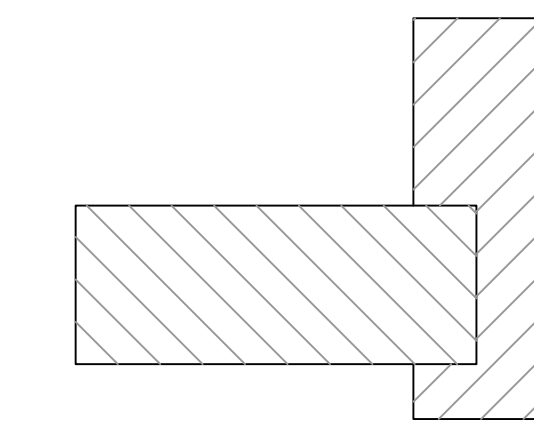
NOTE: LOWER HALF OF VEE-CLEAT
INSTALLED IN FIELD



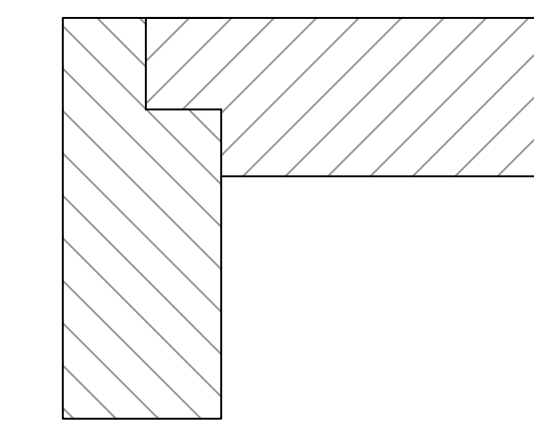
Schedule		
SECTION	QTY	DESCRIPTION
I	10	STRAIGHT X 8'-0\"L
J	1	STRAIGHT X 8'-0\"L W/ RH RETURN
K	1	STRAIGHT X 8'-0\"L W/ LH RETURN



CORNICE PLAN
SCALE: 3/16" = 1'-0"



DRIP EDGE
DTL #1 - NTS



INSIDE CORNER
DTL #2 - NTS